

[www.vscom.de](http://www.vscom.de)

**OnRISC**  
**Alekto and Alekto LAN**  
**Hardware Manual**  
Edition: November 2010



Vision Systems GmbH

Tel: +49 40 528 401 0

Fax: +49 40 528 401 99

Web: [www.visionsystems.de](http://www.visionsystems.de)

Support: [faq.visionsystems.de](http://faq.visionsystems.de)

---

The software described in this manual is furnished under a license agreement and may be used only in accordance with the terms of that agreement.

## **Copyright Notice**

Copyright © 2009 Vision Systems. All rights reserved. Reproduction without permission is prohibited.

## **Trademarks**

VScom is a trademark of Vision Systems GmbH. All other trademarks and brands are property of their rightful owners.

## **Disclaimer**

Vision Systems reserves the right to make changes and improvements to its product without providing notice.

Vision Systems provides this document “as is,” without warranty of any kind, either expressed or implied, including, but not limited to, its particular purpose. Vision Systems reserves the right to make improvements and/or changes to this manual, or to the products and/or the programs described in this manual, at any time.

Information provided in this manual is intended to be accurate and reliable. However, Vision Systems assumes no responsibility for its use, or for any infringements on the rights of third parties that may result from its use.

This product might include unintentional technical or typographical errors. Changes are periodically made to the information herein to correct such errors, and these changes are incorporated into new editions of the publication.

## Contents

<b>1</b>	<b>Overview</b>	<b>4</b>
1.1	Product Features	4
1.2	Hardware Specifications	5
1.2.1	System	5
1.2.2	Serial Ports	6
1.2.3	Digital I/O	6
<b>2</b>	<b>Position of Connectors and Functions</b>	<b>6</b>
2.1	LEDs	6
2.2	Reset Button	6
2.3	WLAN On/Off Button (Aleкто LAN Only)	7
<b>3</b>	<b>Dimensions</b>	<b>9</b>
3.1	Aleкто	9
3.2	Aleкто LAN	10
<b>4</b>	<b>Connectors</b>	<b>11</b>
4.1	Power	11
4.2	Grounding	11
4.3	LAN	11
4.4	Console Port	11
4.5	CF-Slot	11
4.6	Serial	12
4.7	microSD-Slot	12
4.8	USB	12
4.9	I <sup>2</sup> C	12
4.10	Digital I/O	13
<b>5</b>	<b>Product Support Information</b>	<b>13</b>

## List of Figures

1	Appearance Aleкто	7
2	Appearance Aleкто LAN	8
3	Case Aleкто	9
4	Case Aleкто LAN	10

## List of Tables

1	Product Hardware Specifications	5
2	Serial Interface Specifications	6
3	LED Indicators	6
4	DSUB Pinout	12
5	Digital I/O: Electrical Characteristics	13

## 1 Overview

The OnRISC is an ARM9-based RISC industrial embedded computer. The great variety of interfaces like LAN, CF, USB, I<sup>2</sup>C, serial interface and digital I/O makes it easy to connect various industrial devices to the OnRISC.

Compact dimensions and DIN Rail mounting capability make the OnRISC to a space saving and flexible mounting industrial computer. It is feasible to be installed even in space limited environments.

Due to RISC based architecture the OnRISC has very small power consumption (6,5 Watt), so fanless heat dissipation is possible. Working in an extended temperature range from -10°C up to 65°C the OnRISC can be used under harsh industrial conditions. Therefore the OnRISC is downright designed for industrial automation.

### 1.1 Product Features

- ARM9 32-bit RISC CPU, 166MHz
- 64MB SDRAM on board
- 4MB Flash on board
- up to 2 x RS232/RS422/RS485 serial ports
- 8 independent digital I/O channels
- 1 x CF-Slot in True IDE mode (accepts Microdrives)
- 1 x microSD-Slot
- 2 x USB 2.0 as Host
- MiniPCI-slot for expansion with WLAN, GPS etc.
- 2 x Ethernet interfaces for redundant networking or routing functions (AlektO)
- 1 x Ethernet interface with quad LAN switch (AlektO LAN)
- WLAN on/off button (AlektO LAN)
- I<sup>2</sup>C bus with max. 330kHz clock
- RTC
- Ready-to-Run Debian Linux for ARM operating system
- DIN-Rail and wall-mount installation
- Robust, fanless design
- Wide temperature range -10 to 65°C
- Buzzer, Watch Dog Timer
- WLAN on/off button (AlektO LAN)

## 1.2 Hardware Specifications

### 1.2.1 System

	<b>OnRISC Alekto</b>	<b>OnRISC Alekto LAN</b>
CPU	ARM9 32-bit RISC CPU, 166MHz	ARM9 32-bit RISC CPU, 166MHz
RAM	64MB SDRAM	64MB SDRAM
Flash	4MB	4MB
CF-Slot	True IDE mode (accepts Microdrives)	True IDE mode (accepts Microdrives)
microSD-Slot	1 x internal	1 x internal
USB	2 x 2.0 as Host (external) 2 x 2.0 as Host (internal)	2 x 2.0 as Host (external) 1 x 2.0 as Host (internal)
LAN	10baseT/100baseTX Autodetect and Auto-MDI(X)	10baseT/100baseTX Autodetect and Auto-MDI(X)
Serial Ports	2 x RS232/RS422/RS485 up to 3.6Mbps	1 x RS232/RS422/RS485 up to 3.6Mbps
Digital I/O	8 x input/output signals (32 mA max.)	8 x input/output signals (32 mA max.)
Console Port	RS232, up to 115200bps	RS232, up to 115200bps
I <sup>2</sup> C	max. 330kHz	max. 330kHz
RTC	yes	yes
Buzzer	yes	yes
Watch Dog Timer	yes	yes
MiniPCI-Slot	yes	yes
Reset Button	HW Reset, long hold to access BIOS via Telnet	HW Reset, long hold to access BIOS via Telnet
WLAN On/Off Button	-	1 x
Power Input	9-30V DC	9-30V DC
Power Consumption	max. 1.5A @ 12V	max. 1.5A @ 12V
Dimensions (W x L x H)	157 x 106 x 53 mm 157 x 112 x 53 mm with DB9 connector	157 x 106 x 53 mm 157 x 112 x 53 mm with DB9 connector

Table 1: Product Hardware Specifications

### 1.2.2 Serial Ports

Up to two serial ports are provided in RS232/422/485 modes that can be switched by software (AlektO - 2 serial ports, AlektO LAN - 1 serial port). For the detailed information about the supported modes refer to the Table 2.

	<b>RS232</b>	<b>RS422</b>	<b>RS485</b>
Modes	full duplex	full duplex	2-wire: half duplex, with echo 2-wire: half duplex, without echo 4-wire: full duplex
Signals	TxD, RxD, RTS, CTS, DTR, DSR, DCD, RI, GND	Tx+/-, Rx+/-, GND	2-wire: Data+/-, GND 4-wire: Tx+/-, Rx+/-, GND
Data Direction Control			by ART (Automatic Receive Transmit control) or by RTS
Speed	up to 921.6 Kbps	up to 3.6 Mbps	up to 3.6 Mbps

Table 2: Serial Interface Specifications

### 1.2.3 Digital I/O

Eight input/output signals at TTL level are provided. The signal direction is individually configurable. For input mode the change of at least one input signal generates an interrupt. See Section 4.10 for electrical characteristics.

## 2 Position of Connectors and Functions

### 2.1 LEDs

Name	Color	Description
POWER	Red	Power is on
WLAN	Blue	WLAN card has a connection to AP
IDE	Yellow	CF is in use
USER	Green	Customizable
WLAN BTN LED	Blue	WLAN card ready for transmission
LAN1, LAN2	Yellow Green	Ethernet connection established, blinks with traffic On if 100 Mbps link
TxD1, TxD2	Green	Transmit traffic
RxD1, RxD2	Yellow	Receive traffic

Table 3: LED Indicators

### 2.2 Reset Button

With Reset button you can restart the OnRISC without removing the power. It can be also used to get in BIOS via Telnet (see Table 1). For further information refer to the “OnRISC User Manual”

section “BIOS”. The Reset button should be used only in situations, where reboot command is not available, to avoid filesystem integrity errors.

### 2.3 WLAN On/Off Button (Alekto LAN Only)

OnRISC Alekto LAN offers special button to enable/disable the WLAN adapter. Pressing the button will result in button LED going off and WLAN transmit power turning off, so no communication via WLAN is possible. Pressing the button for the second time will result in button LED going on and WLAN transmit power returning to the previous value, so WLAN data transfer is again possible.

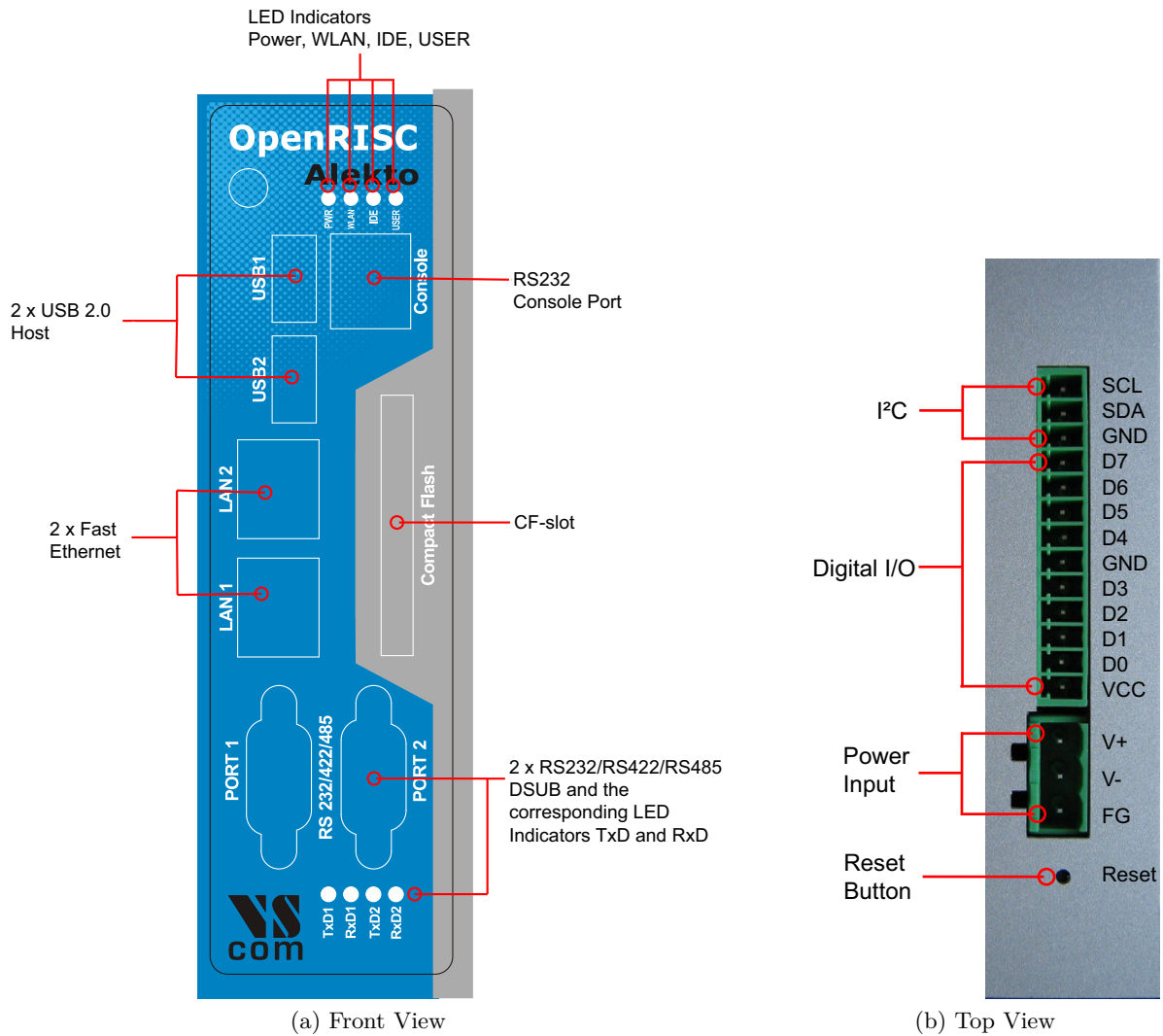


Figure 1: Appearance Alekto

## 2.3 WLAN On/Off Button (Alekto LAN Only)

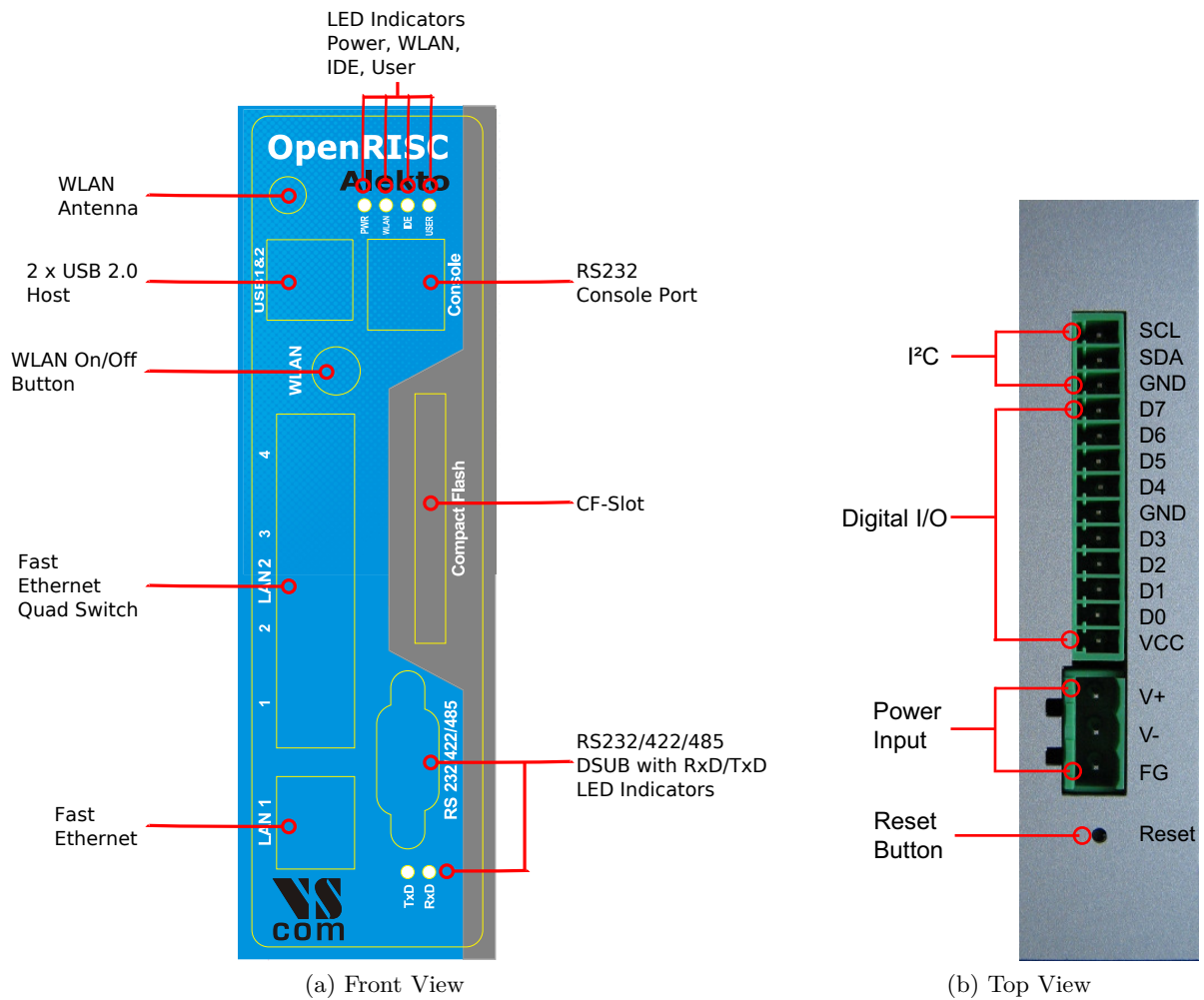


Figure 2: Appearance Alekto LAN

### 3 Dimensions

#### 3.1 Alekto

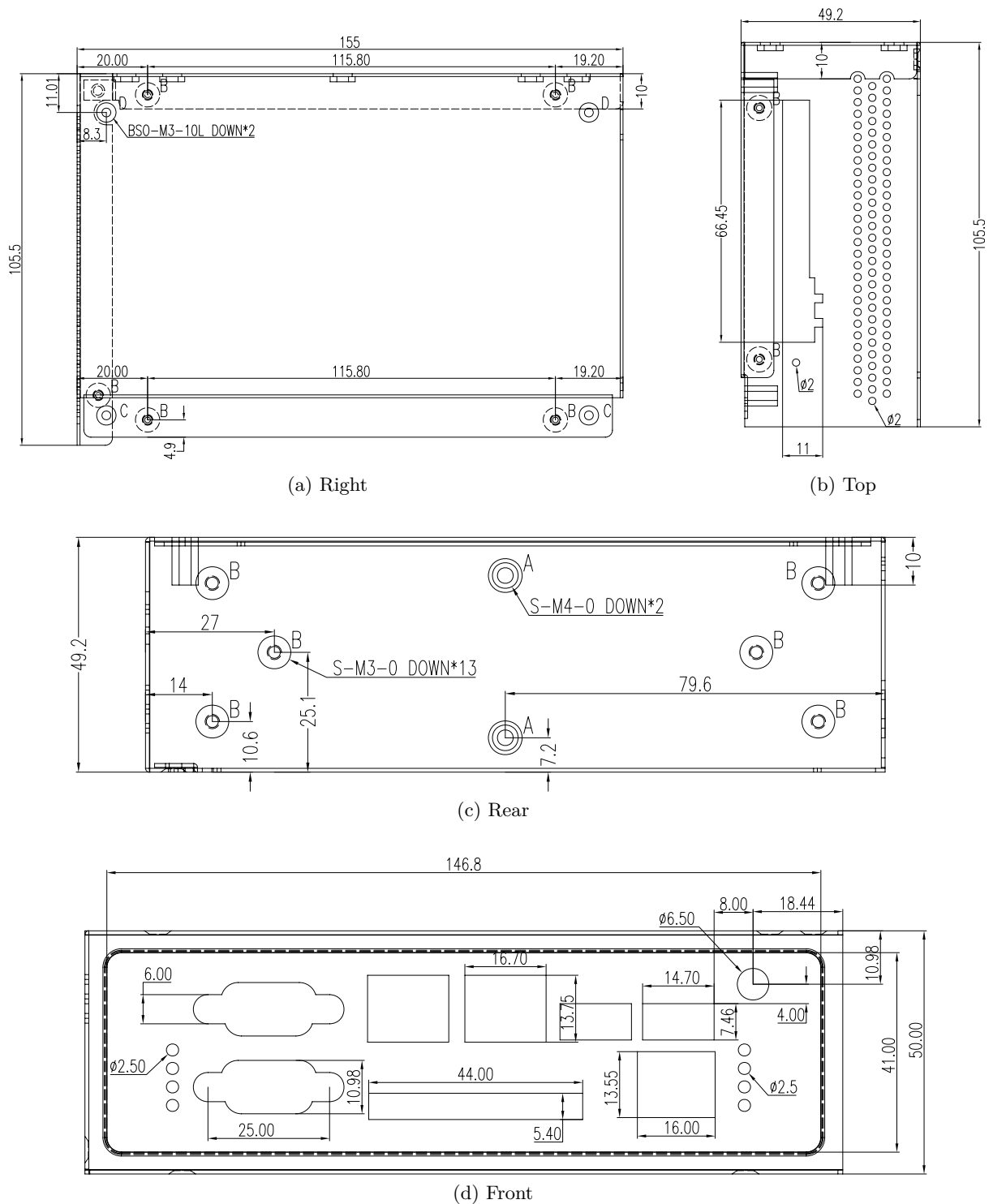


Figure 3: Case Alekto

### 3.2 Alekto LAN

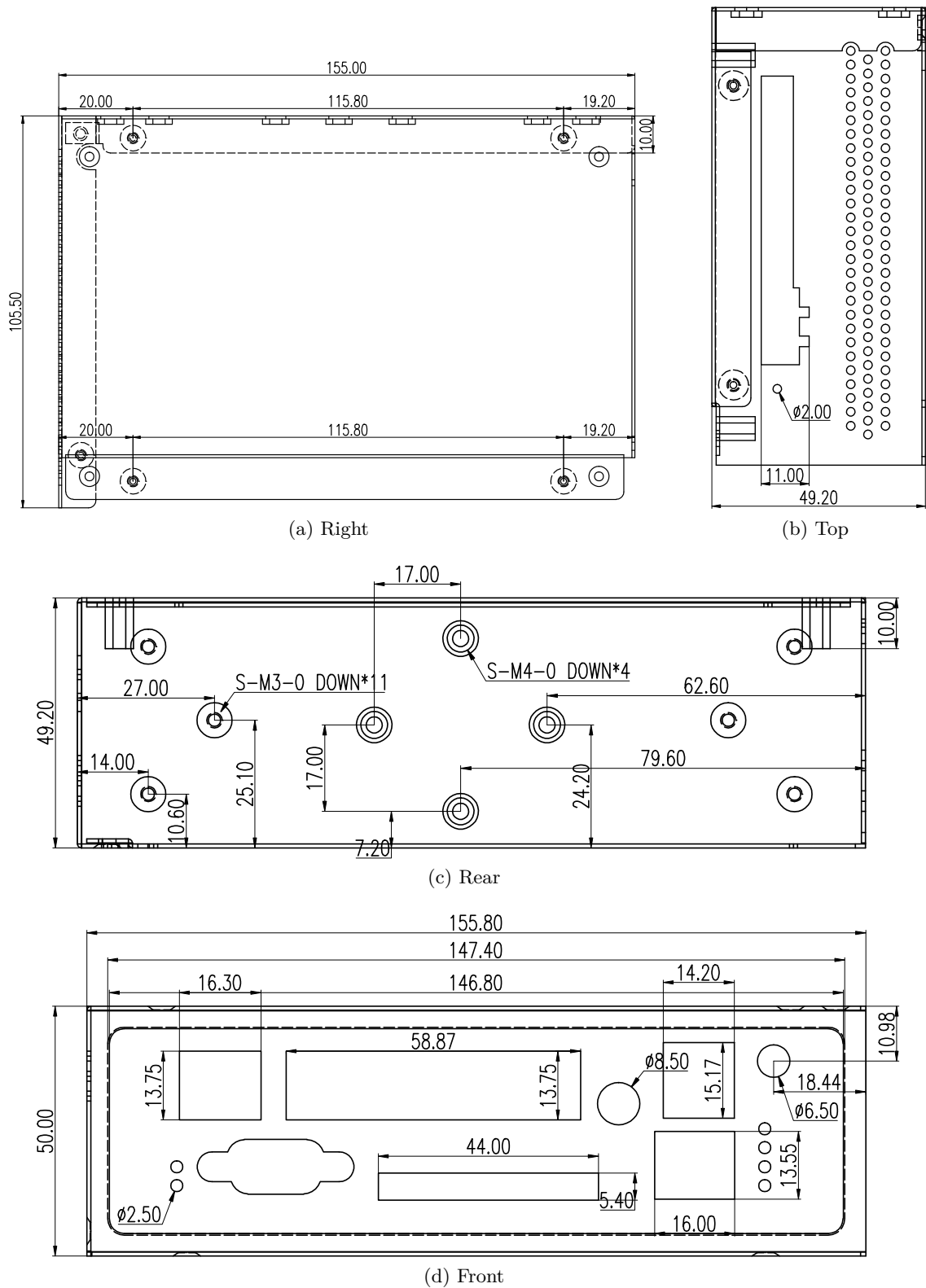


Figure 4: Case Alekto LAN

## 4 Connectors

### 4.1 Power

The OnRISC device is powered by a single power supply in a wide range from 9V DC to 30V DC. A suitable power supply adapter is part of the packaging list. Connect the cable to the power jack at the top side of OnRISC, and put the adapter into the socket. The Power LED (red) on OnRISC will light. You can connect a power supply of your choice, providing the technical requirements are met.

**Warning:** disconnect the OnRISC before performing installation or wiring. The wire size must follow the maximum current specifications. The maximum possible current in the power wires as well as in the common wires must be taken under consideration. If the current rises above the maximum ratings, the wiring can overheat, causing serious damage to your equipment. When powered, the OnRISC's internal components generate heat, and consequently the outer case may feel warm to the touch.

### 4.2 Grounding

Grounding and wire routing help limit the effects of noise due to electromagnetic interference (EMI). Run the ground connection from the ground screw to the grounding surface prior to connecting devices.

### 4.3 LAN

The connectors for Ethernet are the usual RJ45. Simply connect them to your switch or hub. When the connect is done the Link LED on RJ45 (yellow) will light. When data traffic occurs on the network, this LED will blink. It depends on your network whether a 100Mbit or a 10Mbit connect will be established. A 100Mbit net causes the Speed LED on RJ45 (green) to light, otherwise it will remain dark. Both Ethernet interfaces support Auto-MDI(X) feature.

Alekto LAN provides quad RJ45 connectors block attached to the internal switch. The LEDs of this connectors block behave like described above.

### 4.4 Console Port

The console port (RS232) has an RJ45 connector. An adapter cable to DB9 male is provided. The pinout of the DB9 male connector is the same as PORT1/2 in RS232 mode, without signal RI.

### 4.5 CF-Slot

The CF-slot supports True IDE mode for storage expansion. The memory size of the CF-Card is not limited. For use with the prepared Debian Linux image it is recommended to use at least 1GB CompactFlash. MicroDrives can be also used.

## 4.6 Serial

The OnRISC provides one (Aleкто LAN) or two (Aleкто) DSUB 9 male connectors . All three modes of operating RS232, RS422 or RS485 are entirely configured by software. For the pinout refer to the Table 4.

Pin	RS232	RS422	RS485 2wire
1	DCD	Tx- (A)	Data- (A)
2	RxD	Tx+ (B)	Data+ (B)
3	TxD	Rx+ (B)	
4	DTR	Rx- (A)	
5	GND	GND	GND
6	DSR		
7	RTS		
8	CTS		
9	RI		

Table 4: DSUB Pinout

Please note the function of the GND signal in RS422 and RS485 modes: this signal must also be connected between the serial devices. So in reality a 2-wire and a 4-wire connection need 3 wire and 5 wire respectively. With the exception of very special configurations, a serial connection in RS422/RS485 mode without GND connection violates the specifications for RS422 and RS485 standards.

## 4.7 microSD-Slot

The OnRISC provides one microSD-Slot inside the case so it is not accessible from outside. This slot can be used in the same way as CF-Slot to store the system or it can be used as extra storage device.

## 4.8 USB

The OnRISC provides two USB 2.0 Host interfaces. They can be used for Mass Storage Devices, like Flash- or Hard Drive, Bluetooth and WLAN adapters etc. Two additional ports can be internally accessed through the JP2 connector on the CPU board.

## 4.9 I<sup>2</sup>C

The I<sup>2</sup>C interface operates at the maximum frequency of 330 KHz. The connector for I<sup>2</sup>C is located on the terminal digital I/O block and has three pins: SCL, SDA and GND. When required the I<sup>2</sup>C device can be powered with the VCC output of the digital I/O terminal block.

## 4.10 Digital I/O

The OnRISC provides 8 digital input/output channels. The data direction for each channel can be independently set to input or output. An interrupt for an input channel can also be independently enabled to detect signal level changes.

Input	TTL level (0.0 to 0.8V, 2.0 to 5.0V)
Output Source	32mA@TTL High (2.0 to 5.0V)
Output Sink	64mA@TTL Low (0.0 to 0.6V)

Table 5: Digital I/O: Electrical Characteristics

## 5 Product Support Information

The following services are provided on [www.vscom.de](http://www.vscom.de) and [www.visionsystems.de](http://www.visionsystems.de) for the customers to support our products:

- driver updates
- product information
- user's manual updates

For special technical support issues please use our FAQ system [faq.visionsystems.de](http://faq.visionsystems.de).